

PLEASE CHECK WWW.MOLEX.COM FOR LATEST PART INFORMATION

Part Number: [0350230010](#)
Status: **Active**
Description: 2.00mm (.079") Pitch Board-In Crimp Housing, 10 Circuits

Documents:

[3D Model](#) [Product Specification PS-35044-001 \(PDF\)](#)
[Drawing \(PDF\)](#) [RoHS Certificate of Compliance \(PDF\)](#)
[Product Specification PS-35023-001 \(PDF\)](#)

Agency Certification

CSA LR19980
 UL E29179

General

Product Family Crimp Housings
 Series [35023](#)
 Product Name Board-In

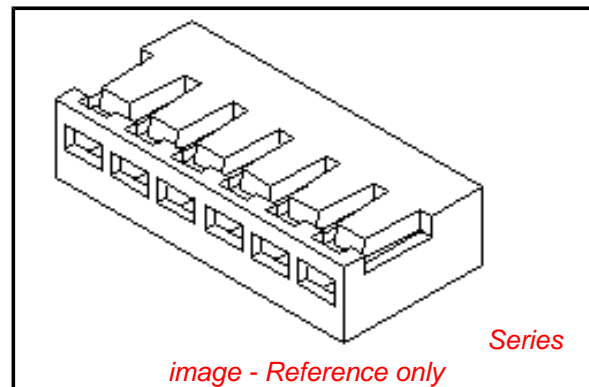
Physical

Circuits (maximum) 10
 Color - Resin Natural
 Flammability 94V-0
 Gender Female
 Glow-Wire Compliant No
 Material - Resin Nylon
 Number of Rows 1
 Packaging Type Bag
 Panel Mount No
 Pitch - Mating Interface (in) 0.079 In
 Pitch - Mating Interface (mm) 2.00 mm
 Stackable No
 Temperature Range - Operating -40°C to +105°C

Material Info

Reference - Drawing Numbers

Product Specification PS-35023-001, PS-35044-001
 Sales Drawing SD-35023-*0**, SD-35023-001



EU RoHS

**ELV and RoHS
 Compliant**
REACH SVHC
 Not Reviewed
**Halogen-Free
 Status**

China RoHS



**Need more information on product
 environmental compliance?**

Email productcompliance@molex.com
 For a multiple part number RoHS Certificate of
 Compliance, [click here](#)

Please visit the [Contact Us](#) section for any
 non-product compliance questions.

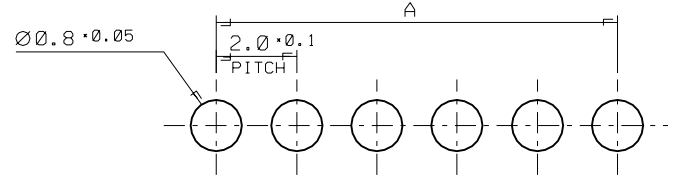
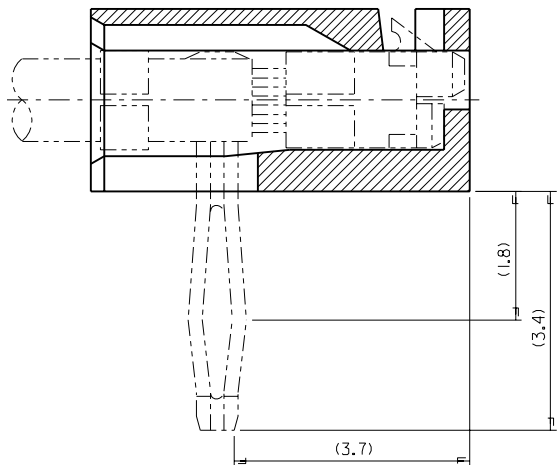
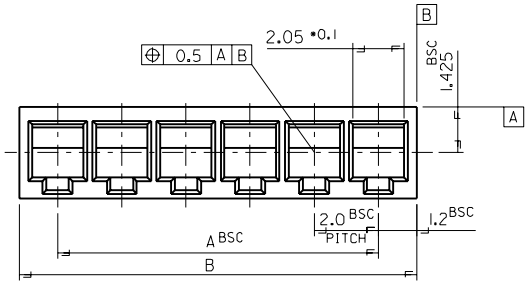
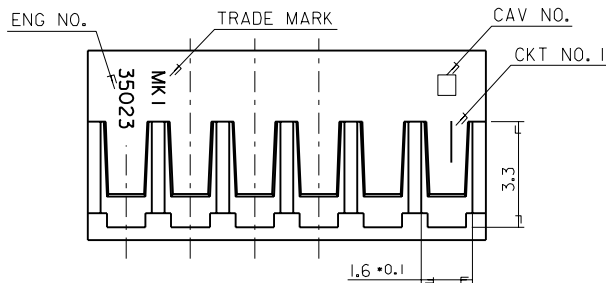
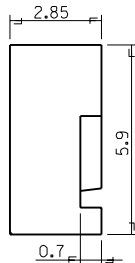
Search Parts in this Series

[35023Series](#)

Use With

[35044](#) , [35021](#)

DWG. NO. SD 35023-*0**
 PROJECT NO. 35023-*0**
 SIMILAR ITEM 35023-*0**
 DO NOT SCALE DRAWING DIMENSION IN METRIC



P.C. BOARD LAY OUT
(THK. = 1.6T)

NOTE

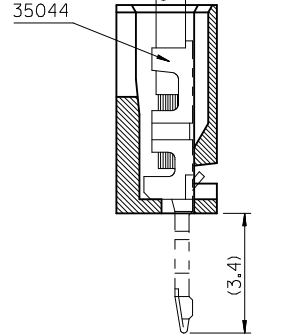
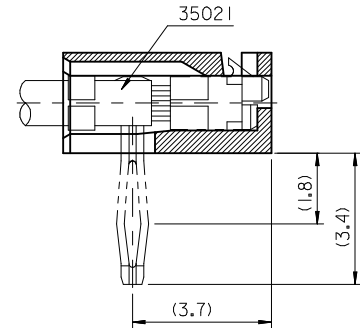
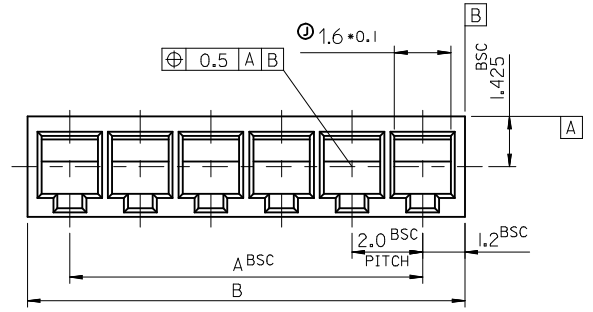
- MATERIAL : NYLON 66 UL94V-0
- APPLIED TERMINAL : 35021-I201/I301
- PRODUCT SPECIFICATION : PS-35023

LEGEND

35023 - *0 ** CKT.(02,03,04....)
 COLOR : 0 --- NATURAL
 1 --- BLACK

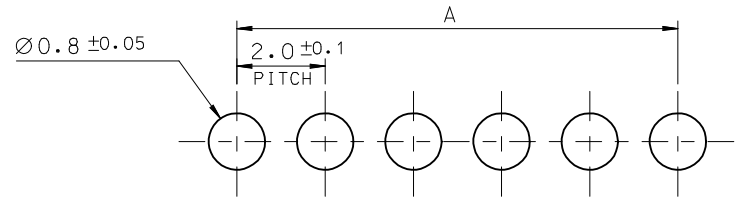
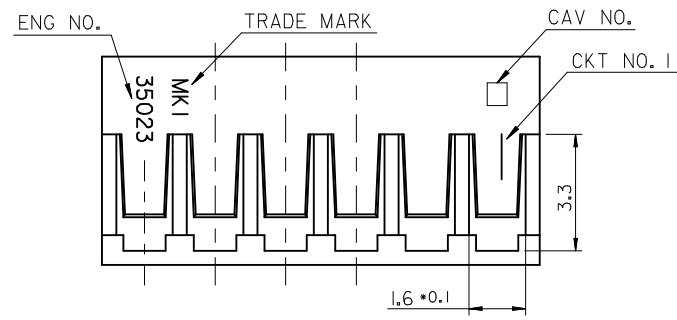
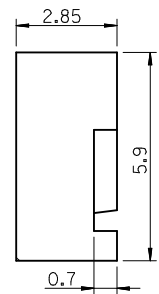
32.4	30.0	35023-*016	16	18.4	16.0	-*009	9
30.4	28.0	-*015	15	14.4	14.0	-*008	8
28.4	26.0	-*014	14	12.4	10.0	-*006	6
26.4	24.0	-*013	13	10.4	8.0	-*005	5
24.4	22.0	-*012	12	8.4	6.0	-*004	4
22.4	20.0	-*011	11	6.4	4.0	-*003	3
20.4	18.0	-*010	10	4.4	2.0	35023-*002	2
B	A	ENG NO.	CKT NO.	B	A	ENG NO.	CKT NO.

REVISED EC NO. KOR1999-0007 DRWN: K.S.KIM(990111) CHK: J.K.OH APPR: C.W.LEE	DESCRIPTION MAJOR CRITICAL	QUALITY SYMBOLS		GENERAL TOLERANCES: (UNLESS SPECIFIED)		SCALE 7-1	DESIGN UNITS <input checked="" type="checkbox"/> mm <input type="checkbox"/> INCH	DIMENSIONS: <input type="checkbox"/> mm <input type="checkbox"/> INCH <input checked="" type="checkbox"/> mm ONLY		SHT REV		
		4 PLACES $\pm 0.$ mm \pm INCH	3 PLACES $\pm 0.$ mm \pm INCH	2 PLACES $\pm 0.$ mm \pm INCH	1 PLACE ± 0.3 mm \pm INCH	ANGULAR: \pm °	DRAFT WHERE APPLICABLE MUST REMAIN WITHIN DIMENSIONS	DRAWN BY & DATE H.S.SHIN(931026)		CHECKED BY & DATE J.K.OH		TITLE: 2.0mm PITCH B-IN CONN. HOUSING(S/T)
		APPROVED BY & DATE C.W.LEE		CAD FILENAME SD35023.DGN		MATERIAL NO. 35023-*0**	DRAWING NO. SD 35023-*0**	MOLEX INCORPORATED KOREA		SHEET NO. IOF1	SIZE B	
		THIS DRAWING CONTAINS INFORMATION THAT IS PROPRIETARY TO MOLEX INCORPORATED AND SHOULD NOT BE USED WITHOUT WRITTEN PERMISSION.						MOLEX INCORPORATED KOREA		SHEET NO. IOF1		

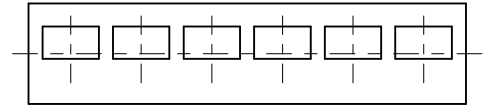


RIGHT ANGLE TYPE

STRAIGHT TYPE



P.C. BOARD LAY OUT
(THK.: 1.6+)



				18.4	16.0	- ****	9
32.4	30.0	35023- ****	16	16.4	14.0	- ****	8
30.4	28.0	- ****	15	14.4	12.0	- ****	7
28.4	26.0	- ****	14	12.4	10.0	- ****	6
26.4	24.0	- ****	13	10.4	8.0	- ****	5
24.4	22.0	- ****	12	8.4	6.0	- ****	4
22.4	20.0	- ****	11	6.4	4.0	- ****	3
20.4	18.0	- ****	10	4.4	2.0	35023- ****	2
B	A	ENG NO.	CKT NO.	B	A	ENG NO.	CKT NO.

NOTE

- MATERIAL : NYLON 66 UL94V-0
- APPLIED TERMINAL : 35021-1201/1301,35044
- PRODUCT SPECIFICATION : PS-35023

LEGEND (ZYTEL FE13001)

35023 - *0 ** CKT.(02,03,04....)

COLOR : 0 --- NATURAL
I --- BLACK

① LEGEND (TECHNYL A50H1,HF Version)

35023 - **6* CKT.(02,03,04....)
COLOR : 0 --- NATURAL
I --- BLACK

REVISED	DESCRIPTION
EC NO: KOR2010-0015	2009/07/28
DRWN: JHPARK01	2009/07/30
CHKD: WY. YANG	2009/07/30
APPR: YUNSIKIM	2009/07/30
J	REV

QUALITY SYMBOLS	GENERAL TOLERANCES (UNLESS SPECIFIED)
▽=0	mm INCH
∇=0	4 PLACES ± --- ± ---
	3 PLACES ± --- ± ---
	2 PLACES ± 0.2 ± ---
	1 PLACE ± 0.3 ± ---
	ANGULAR ± 1 °
	DRAFT WHERE APPLICABLE MUST REMAIN WITHIN DIMENSIONS

DIMENSION STYLE	SCALE	DESIGN UNITS
MM ONLY	1:1	METRIC
DRAWN BY	DATE	TITLE
HS. SHIN	1993/10/26	2.0 PITCH B-IN CONN. HOUSING(S/T)
CHECKED BY	DATE	
JK. OH	1993/10/26	
APPROVED BY	DATE	
CW. LEE	1993/10/26	
MATERIAL NO.	DOCUMENT NO.	
SEE TABLE	SD-35023-001	
SIZE	THIS DRAWING CONTAINS INFORMATION THAT IS PROPRIETARY TO MOLEX INCORPORATED AND SHOULD NOT BE USED WITHOUT WRITTEN PERMISSION	
A3		

THIRD ANGLE PROJECTION	
MOLEX	MOLEX INCORPORATED
SHEET NO.	1 OF 01